



Octane Combo Manual

Specifications

MS35

◆ Interface	USB 2.0
◆ DPI	500 / 1000 / 2000 / 3500 (4 level)
◆ LED backlight	white + 7 Colors
◆ Dimension	129(L) x 73(W) x 38(H)mm 5.1 x 2.9 x 1.5 inch
◆ Weight	116g / 0.26 lbs (with cable) 90g / 0.2 lbs (without cable)

MB7C

◆ Interface	USB 2.0
◆ LED Backlight	7 Colors
◆ Media key	Extra 6 keys
◆ Dimension	471(L)x196(W)x41(H)mm 18.6x 7.7x 1.6 inch
◆ Weight	920g / 2.03 lbs

System Requirements:

- ◆ PC or PC compatible device with a USB port
- ◆ Windows® XP/Vista/7/8

Warranty:

- ◆ 2 years limited manufacturer warranty
- ◆ Damages as a result of removing keycaps improperly are not covered by the warranty

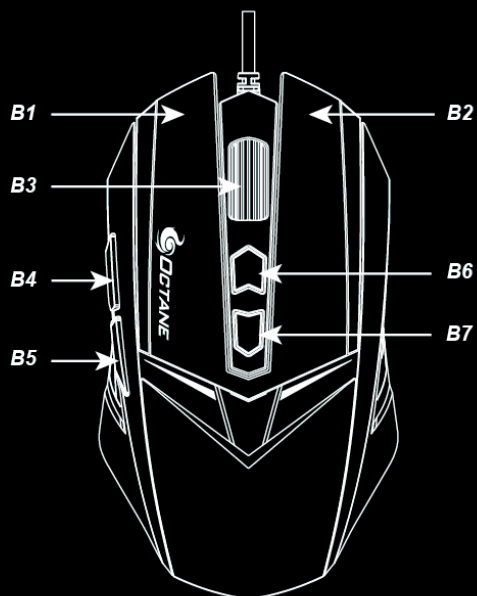
Instructions

MS35

B5 + B7: Change Backlighting Mode

B6: Change DPI Level

B7: Change Backlight Color



MB7C

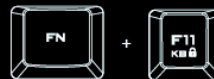
FN + Q: Adjust Repeat Rate



FN + Windows Key: Enable/Disable Windows Key



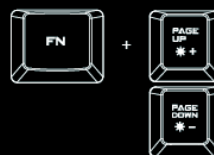
FN + F11: Lock/Unlock Keyboard



FN + +/-: Adjust Backlighting Pulsate Speed



FN + Pg UP/Pg DN: Adjust Backlight Brightness



FN + Backlight Key : Adjust Backlight Mode



Backlight Key : Adjust Backlighting Colors and ON/OFF

